

# *KillTest*

質量更高 服務更好



## 學習資料

<http://www.killtest.net>

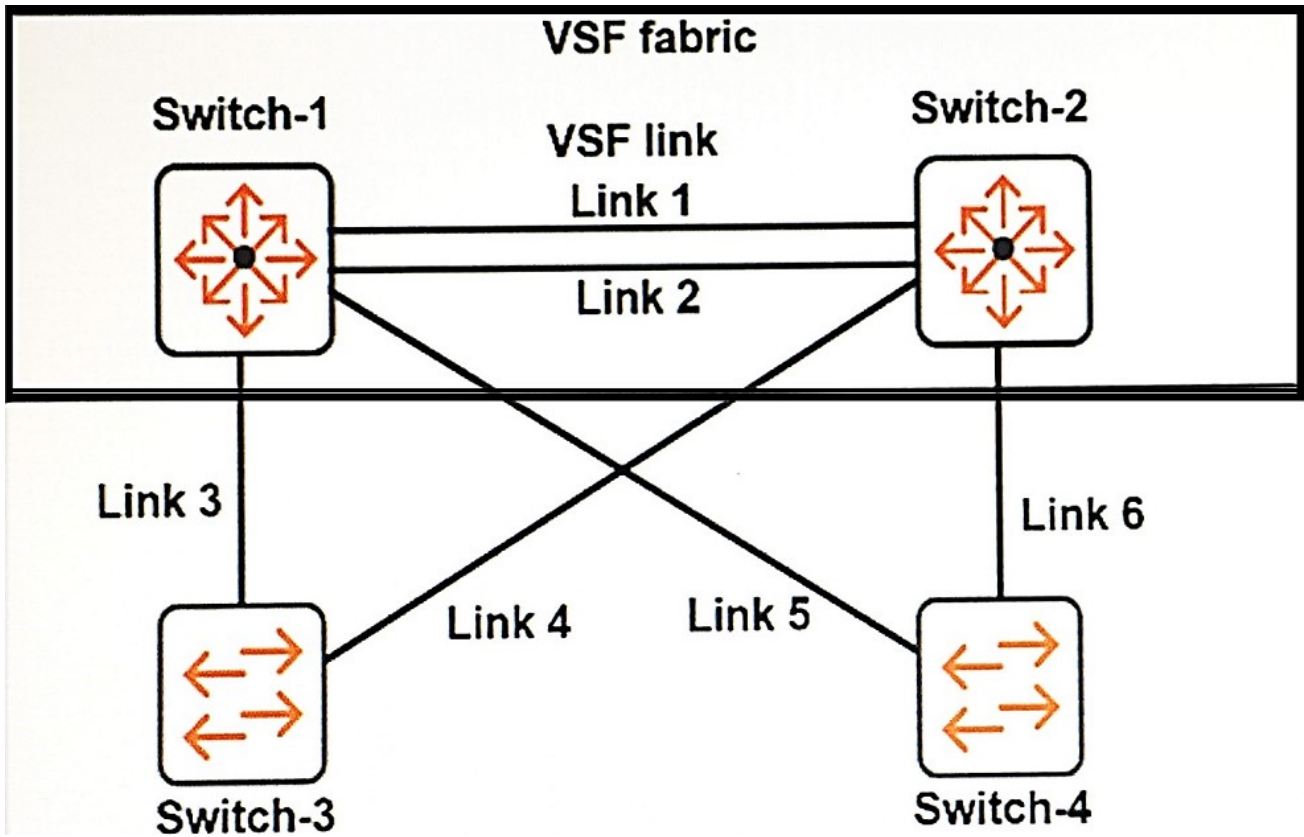
一年免費更新服務

**Exam** : **HPE6-A41**

**Title** : Applying Aruba Switching  
Fundamentals for Mobility

**Version** : DEMO

1.Refer to the exhibit.



Which links can be combined in the same link aggregation?

- A. Links 3 and 4
- B. Links 3 and 5
- C. Links 3 and 6
- D. Links 4 and 6

**Answer:** A

**Explanation:**

We can also aggregate link 5 and 6

2.Which privilege level would a network administrator use to configure an ArubaOS switch?

- A. Administrator
- B. Manager
- C. Super
- D. User

**Answer:** B

3.Refer to the exhibit.

```
Switch# show flash
```

```
Image                Size (bytes)  Date      Version
-----
Primary Image :     15540244    03/23/16  KA.16.01.0006
Secondary Image :  15890772    08/24/15  KA.15.15.0014
Boot ROM Version :  KA.15.09
Default Boot : Secondary
```

```
Switch# show config files
```

```
Configuration files:
```

```
id | act pri sec | name
```

```
-----
1 |      *      | config1
2 |          *   | config2
3 | *          | config3
```

The network administrator enters this command:

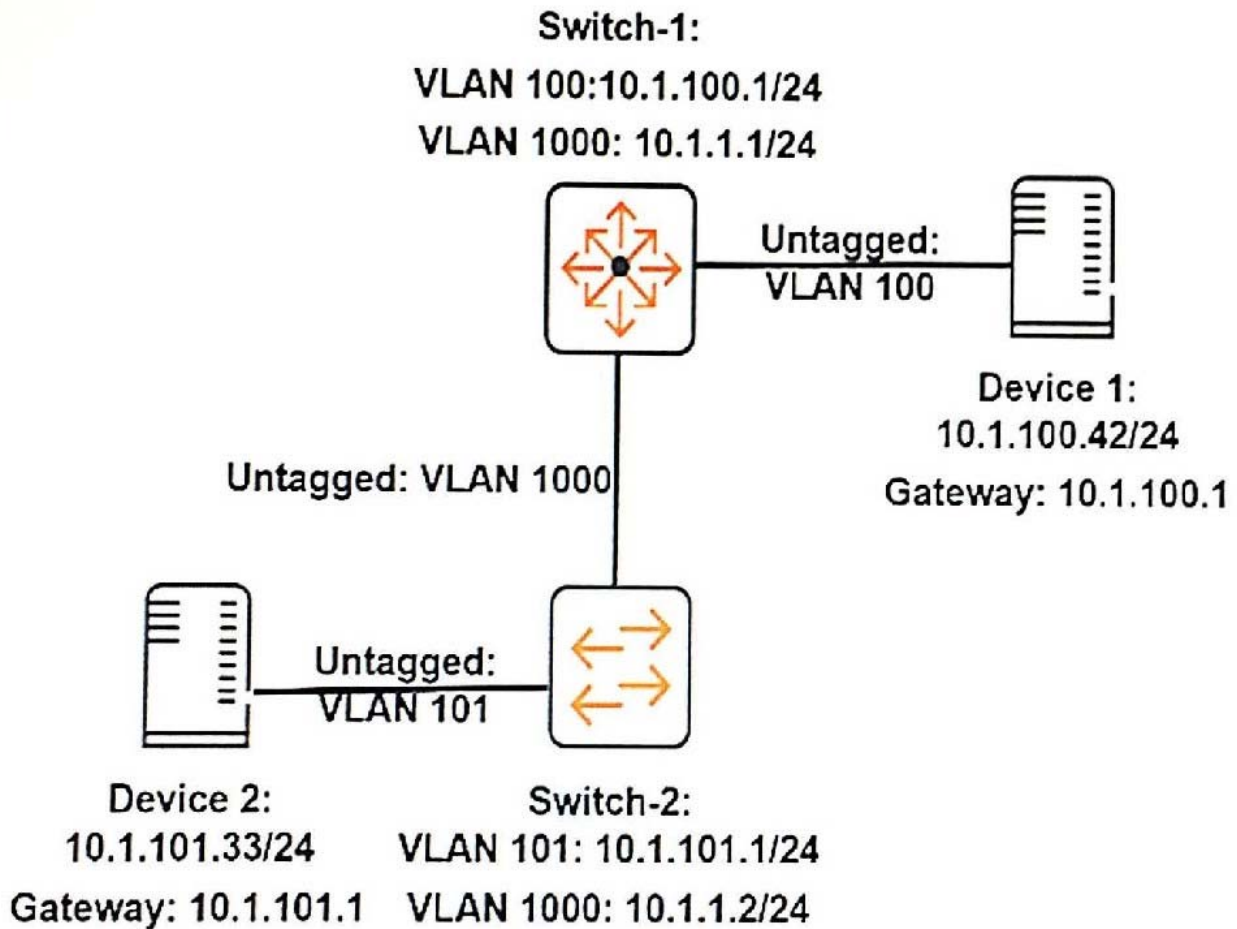
```
Switch# reload
```

Which software and configuration file will load?

- A. software version KA.16.01 and config3
- B. software version KA.15.15 and config2
- C. software version KA.15.15 and config3
- D. software version KA.16.01 and config1

**Answer: B**

4.Refer to the exhibit.



A network administrator executes this command on an ArubaOS switch, Switch-2:

```
Switch-2(config)# ip route 10.1.100.0/24 10.1.1.1
```

The administrator successfully pings Device 1 at 10.1.100.42 from Switch-2.

However, Device 2 cannot ping Device 1. The administrator confirms that Device 1 is correctly set up.

What should the administrator check on Switch-2 to resolve this issue?

- A. that ARP proxy is enabled
- B. that IP routing is enabled
- C. that spanning tree is disabled
- D. that ICMP is enabled

**Answer: B**

5.Refer to the exhibit.

Switch-1# show ip

Internet (IP) Service  
IP Routing : Disable

Default Gateway :  
Default TTL : 64  
Arp Age : 20  
Domain Suffix :  
DNS server :

VLAN		IP Config	IP Address	Subnet Mask	Proxy ARP	
					Std	Local
-----	+	-----	-----	-----	-----	-----
DEFAULT_VLAN		Manual	10.1.1.1	255.255.255.0	No	No
VLAN11		Manual	10.1.11.1	255.255.255.0	No	No
VLAN12		Manual	10.1.12.1	255.255.255.0	No	No

What should the network administrator do to permit Switch-1 to route traffic from a client in 10.1.11.0/24 to a client in 10.1.12.0/24?

- A. Enable proxy ARP.
- B. Enable IP routing.
- C. Configure a static route to 10.1.11.0/24 and a static route to 10.1.12.0/24.
- D. Enable OSPF routing on VLAN 11 and on VLAN 12 in the same area.

**Answer: B**